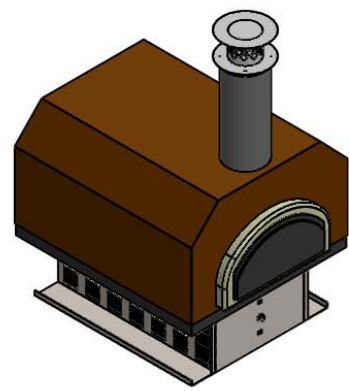
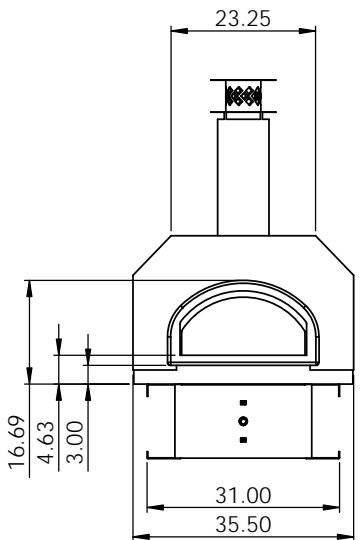
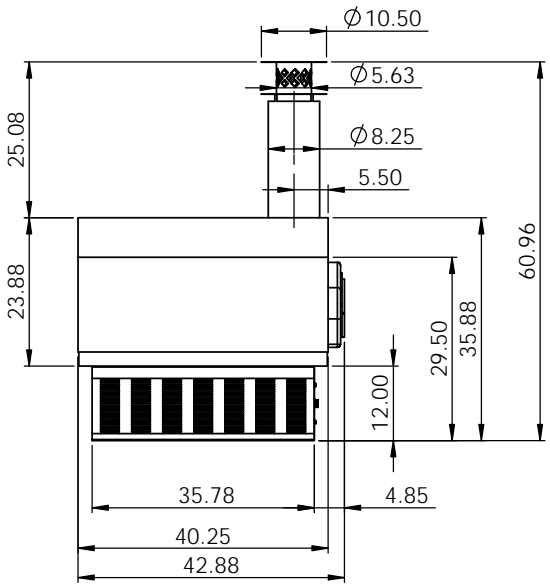
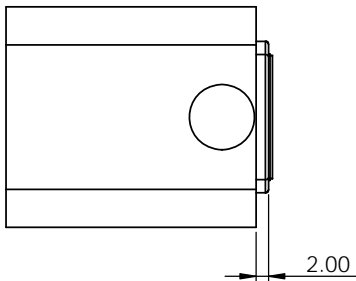


4

3

2

1



B

B

A

A

PROPRIETARY AND CONFIDENTIAL
 THE INFORMATION CONTAINED IN THIS DRAWING IS THE SOLE PROPERTY OF CHICAGO BRICK OVEN. ANY REPRODUCTION IN PART OR AS A WHOLE WITHOUT THE WRITTEN PERMISSION OF CHICAGO BRICK OVEN IS PROHIBITED.

		UNLESS OTHERWISE SPECIFIED:	NAME	DATE	TITLE: CBO-750 HYBRID COUNTERTOP		
		DIMENSIONS ARE IN INCHES	DRAWN	RWL			9/22/16
		TOLERANCES:	CHECKED				
		FRACTIONAL: ±	ENG APPR.				
		ANGULAR: MACH ± BEND ±	MFG APPR.			SIZE B	
		TWO PLACE DECIMAL ±	Q.A.				
		THREE PLACE DECIMAL ±	COMMENTS:			DWG. NO.	
		INTERPRET GEOMETRIC TOLERANCING PER:				REV	
		MATERIAL				SCALE: 1:20	
		FINISH				WEIGHT:	
NEXT ASSY	USED ON	APPLICATION				SHEET 1 OF 1	
		DO NOT SCALE DRAWING					

4

3

2

1